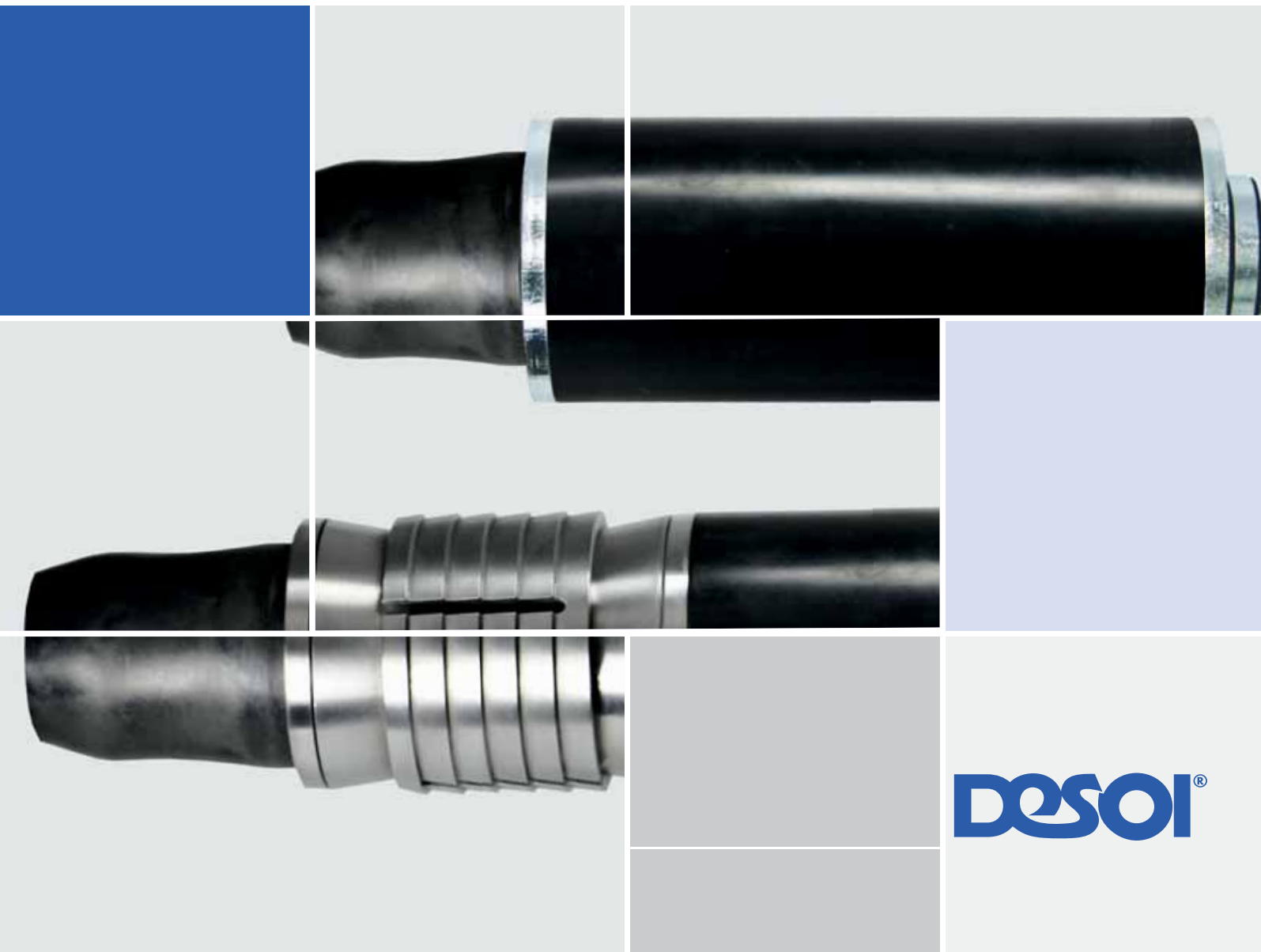




Clamping packer Clamping packer MS



Clamping packer/clamping packer MS

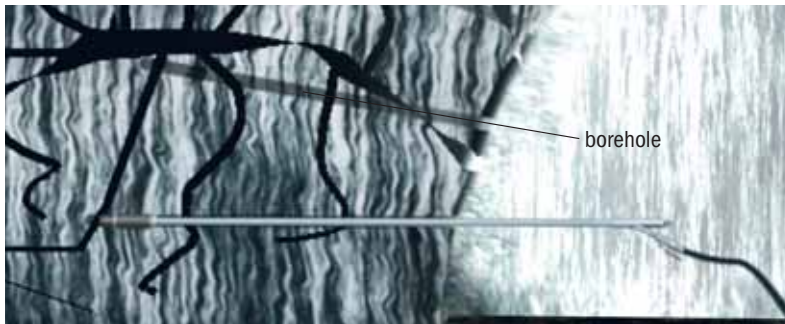
General information

Clamping packer

The clamping packer is suitable to be used for sealing operations, for example in tunnelling. It allows a safe and fast injection of all injection materials on mineral basis as well as injection resins. An improved clamping system prevents damage to the securing rings.

Clamping packer MS

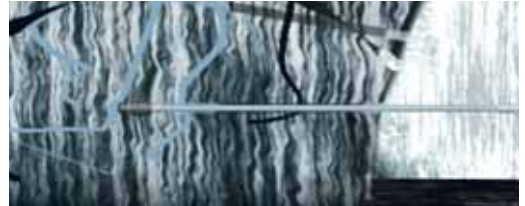
The clamping packer MS is equipped with an additional mechanical securing device. During the bracing operation, the special expansion sleeve acts like a barbed hook and firmly dovetails in the bore hole. Thus, the fastening of the packer is much stronger, even in problematic rock. Additional security measures can be dispensed with to the greatest possible extent.



Place clamping packer and fix it using the clamping and injection device



Clamping packer, braced



Connect injection pump and open ball valves. Start injection process at low pressure and slowly increase pressure up to maximum.



Injection completed

| Order number | Clamping packer |
|--------------|---|
| | with clamping rubber 140 mm, internal thread R ½" |
| 69006 | Ø 45 x 200 mm |
| 69008 | Ø 48 x 200 mm |
| 69010 | Ø 51 x 200 mm |
| 69012 | Ø 54 x 200 mm |
| 69014 | Ø 57 x 200 mm |
| 69016 | Ø 60 x 200 mm |
| 69018 | Ø 63 x 200 mm |

| | Clamping packer MS |
|-------|--|
| | with clamping rubber 140 mm, internal thread R ½", mechanical locking device |
| 69026 | Ø 45 x 260 mm |
| 69028 | Ø 48 x 260 mm |
| 69030 | Ø 51 x 260 mm |
| 69032 | Ø 54 x 260 mm |
| 69034 | Ø 57 x 260 mm |
| 69038 | Ø 63 x 260 mm |

| | Clamping and injection device |
|-------|--------------------------------------|
| | with ball valve and mortar hose plug |
| 69070 | 1000 mm long |
| 69071 | 1500 mm long |
| 69072 | 2000 mm long |
| 69074 | 3000 mm long |
| 69076 | 4000 mm long |
| 69078 | 5000 mm long |
| 69080 | 6000 mm long |



Accessories



Clamping packer/clamping packer MS

Technical data, exploded drawings

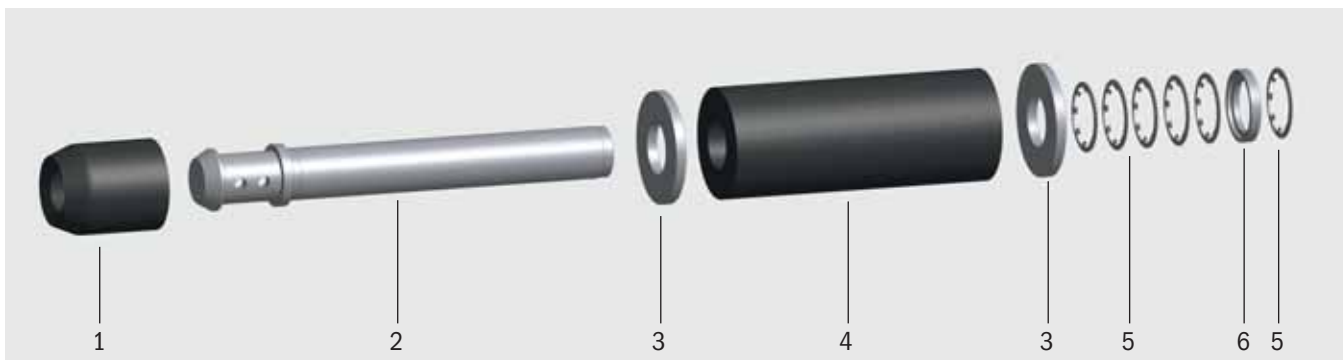
User videos for clamping packer and clamping packer MS can be found at: www.desoi.de/anwendervideos/spannpackerspannpacker-ms

| Technical data | | |
|------------------------|-------------------------|-------------------------|
| | Clamping packer | Clamping packer MS |
| Length | 215 mm | 260 mm |
| Diameter | 45/48/51/54/57/60/63 mm | 45/48/51/54/57/60/63 mm |
| Length clamping rubber | 140 mm | 140 mm |
| Weight | 980 g | 1,6 kg |
| Pressure stability | up to max. 100 bar * | up to max. 150 bar* |

* Field tests for each individual object required.

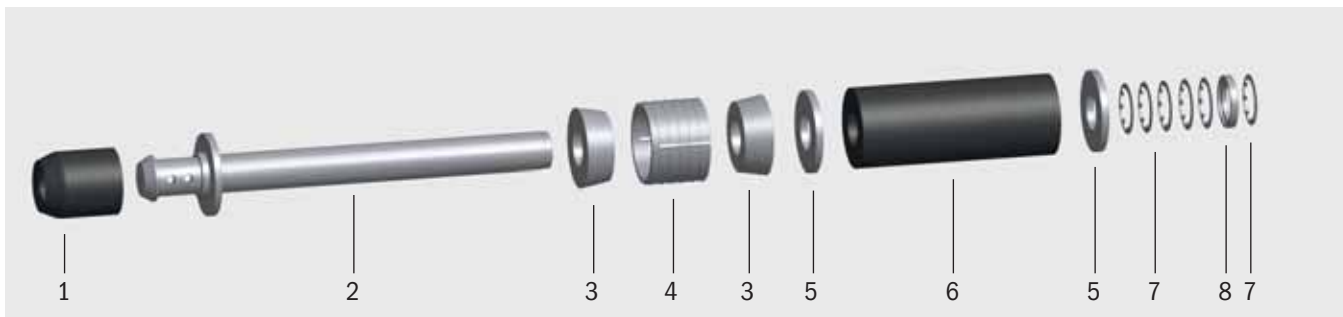
| Diameter clamping packer | 45 | 48 | 51 | 54 | 57 | 63 |
|--------------------------|---------|---------|---------|---------|---------|---------|
| Drill hole diameter | 45 - 47 | 48 - 50 | 51 - 53 | 54 - 56 | 57 - 59 | 63 - 65 |

Clamping packer



1 check valve, 2 lower part, 3 thrust washer, 4 clamping rubber, 5 locking ring, 6 cup washer

Clamping packer MS



1 check valve, 2 lower part long, 3 expansion cone, 4 expanding sleeve, 5 thrust washer, 6 clamping rubber, 7 locking ring, 8 cup washer



Injection technique
Mixing technique
Spraying technique



Qualitätsmanagement

Wir sind zertifiziert

Regelmäßige freiwillige
Überwachung nach ISO 9001:2008

DESOL GmbH

Gewerbestraße 16
36148 Kalbach/Rhön

Telefon: +49 6655 9636-0
Telefax: +49 6655 9636-6666

E-Mail: info@desoi.de
Internet: www.desoi.de